

Z | MAKİNA

HYDRAULIC GRAB





As experts in deep foundation equipment, hydraulic grab closing force is very high, they work more quietly and with less vibration than the mechanical grabs .

Z Makina manufactures a broad selection of hydraulic grab types for pile rig mounted with the proper telescopic kelly, and the crane mounted type as per crane specifications with the proper design, appropriate hydraulic and electrical implementations, mechanical components as well.

Features:

Reels with an automatic tensioning and recovery of the hydraulic hoses

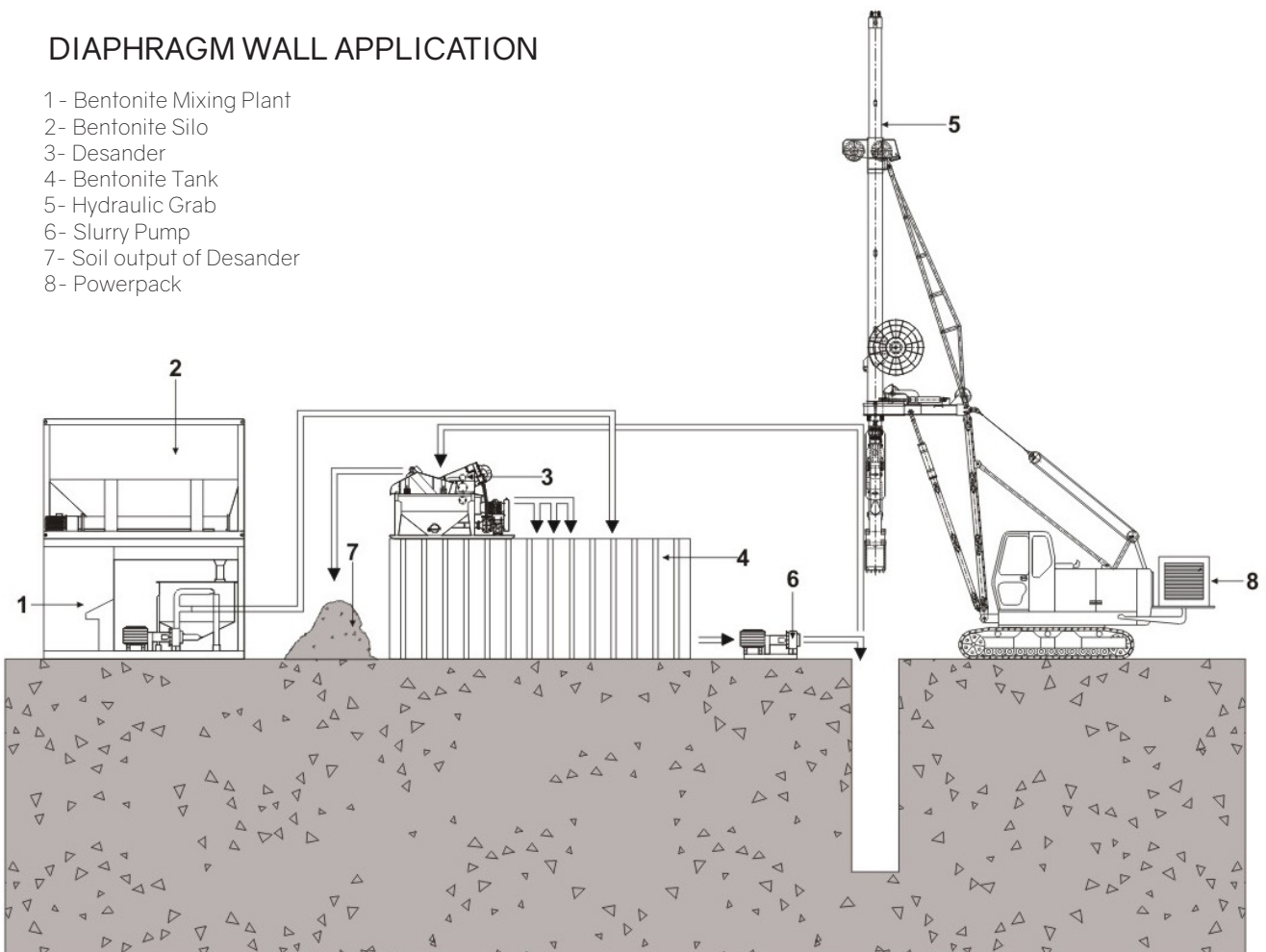
Excavation sets of different dimensions are interchangeable on the same grab frame.

Mast mounted telescopic diaphragm kelly or crane mounted grab can be powered by appropriate Z Makina hydraulic powerpack in case of inadequate hydraulic power of the base machine.

Full guidance during excavation

DIAPHRAGM WALL APPLICATION

- 1 - Bentonite Mixing Plant
- 2 - Bentonite Silo
- 3 - Desander
- 4 - Bentonite Tank
- 5 - Hydraulic Grab
- 6 - Slurry Pump
- 7 - Soil output of Desander
- 8 - Powerpack



ZHG1/24

Extension	L	W
-----	24 m	11000 kg
5000 mm	29 m	11600 kg
7000 mm	31 m	11950 kg

ZHG1 /30

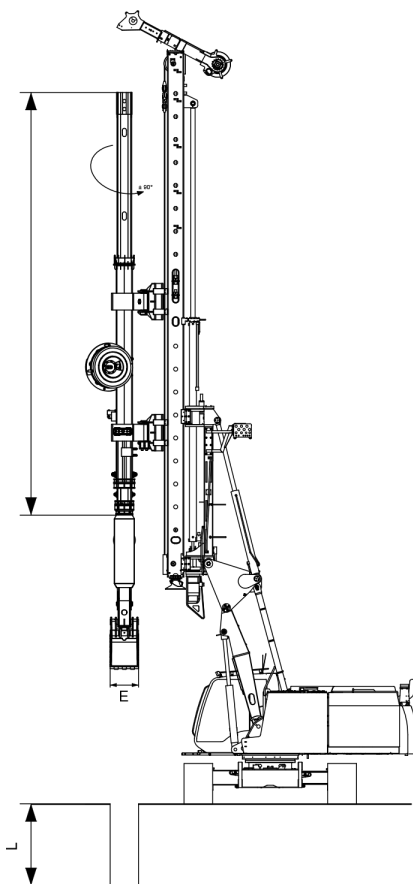
Extension	L	W
-----	30 m	11600 kg
5000 mm	35 m	12200 kg
7000 mm	37 m	12550 kg

ZHG2 /30

Extension	L	W
-----	30 m	12800 kg
5000 mm	35 m	13400 kg
7000 mm	37 m	13700 kg
9000 mm	39 m	14000 kg

ZHG2 /36

Extension	L	W
-----	36 m	13500 kg
2000 mm	38 m	13750 kg
5000 mm	41 m	14100 kg



ZHG3 /30

Extension	L	W
-----	30 m	14300 kg
5000 mm	35 m	14900 kg
7000 mm	37 m	15200 kg
9000 mm	39 m	15550 kg

ZHG3 /36

Extension	L	W
-----	36 m	15100 kg
5000 mm	41 m	15700 kg
7000 mm	43 m	16000 kg
9000 mm	45 m	16350 kg

ZHG3 /48

Extension	L	W
-----	48 m	19000 kg
2000 mm	50 m	19250 kg
5000 mm	53 m	19600 kg
7000 mm	55 m	19950 kg

2500 OPENING						
		ZHG1/ZHG2	ZHG1/ZHG2/ZHG3	ZHG2/ZHG3	ZHG2/ZHG3	ZHG3
Jaw width	mm	600	800	1000	1200	1500
Jaw weight	kg	1200	1600	2000	2400	3000
Capacity	lt	600	900	1200	1400	1800
Closing force	t	140/140/180	140/140/180	140/180	140/180	180
2800 OPENING						
		ZHG1/ZHG2	ZHG1/ZHG2/ZHG3	ZHG2/ZHG3	ZHG2/ZHG3	ZHG3
Jaw width	mm	600	800	1000	1200	1500
Jaw weight	kg	1500	1900	2300	2700	3300
Capacity	lt	800	1200	1500	1800	2300
Closing force	t	140/140/180	140/140/180	140/180	140/180	180
3400 OPENING						
		ZHG3				
Jaw width	mm	800	1000	1200	1500	
Jaw weight	kg	2500	2900	3300	3900	
Capacity	lt	1600	1900	2200	2700	
Closing force	t	180	180	180	180	

Z MAKINA TEKNOLOJISI A.S

S.S. İstanbul Mermerciler Küçük Sanayi Sitesi Yapı Kooperatifi
29. Sokak No: 9 Köşeler Mah. 41455 Dilovası, Kocaeli, TÜRKİYE
info@zmakina.com.tr - +90 262 728 11 22
www.zmakina.com.tr