

Designing  
For The Best

MONTHLY  
NEWSLETTER  
2020 / 02

P : +90 262 728 11 22  
E : info@zmakina.com.tr  
W : www.zmakina.com.tr

# CONTENT

## Special Foundation Equipment & Machine Manufacturer

Z Makina with potential contributions to the group companies is to give examples of what Z Makina has achieved in the past and relate them to what it can accomplish in the future. With an ongoing emphasis on innovation in all phases of its design and production, Z Makina abides to its basic concept of Reliability In Action to provide ever more trustworthy products and services to a global customer base that continues to enjoy a sustained return on its investment.

Within the project duration, Z Makina;

1. Determines at a high level what needs to be accomplished and how it will be done
2. Allocates between what the project will and will not do.
3. Describes the work that must be performed to deliver a product, service or result.

## 01. SINGLE ROPE BORED PILE GRAB

Special bored pile grab designed and manufactured for our customer at Canada. We can make it work bored pile grab with only single rope. This system was specially desired by our customer and Z Makina made it possible.

## 02. SCREWSOL DRILLING HEAD

Z Makina and HBM Hungary have tried to develop a specific drilling tool as if a combination of FDP & Screwsol specified to HBM Hungary's proper use.

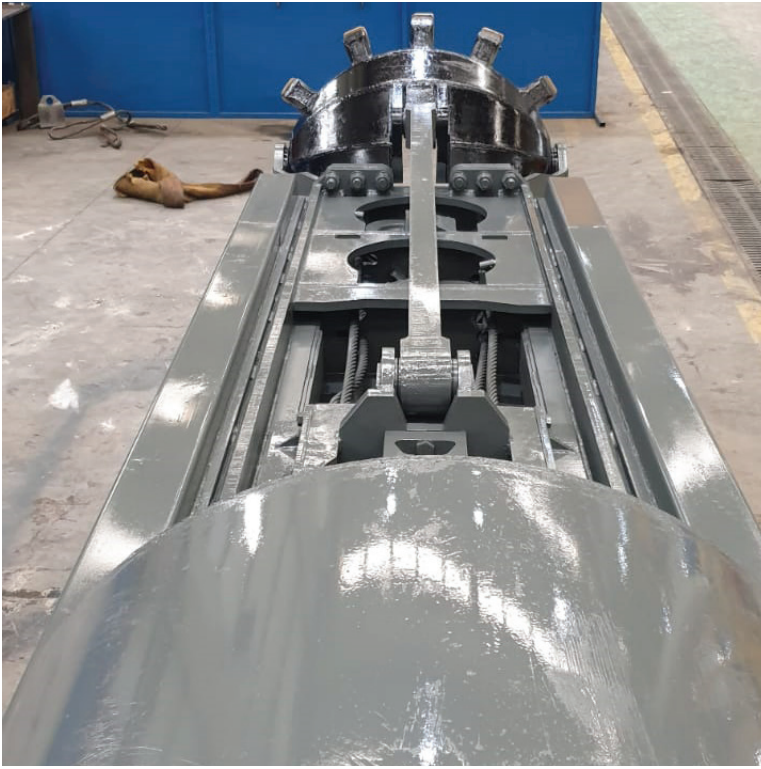
## 03. H90 HYDRAULIC JAWS

Z Makina Project Department updated project design for its proper manufacturing processes.





**SPECIAL DESIGNS**  
FOR **SPECIFIC JOBS**

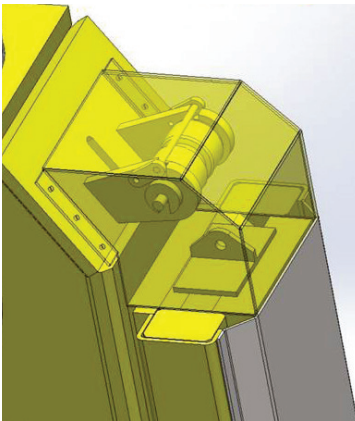


## SINGLE ROPE Bored Pile Grab

Z Makina has designed a single rope spherical pile grab on the new approach method for Soletanche Bachy Canada.

Two ballast weights on both sides facilitate the jaws to open for emptying. Those through pulling up the rotor by the weights on both sides will boost opening the jaws. At a point of time when the grab is hung down to perform unloading of soil, the operator should use instantaneous movement of free-fall function to open the bucket easily.

The grab achieves a very high filling level by means of the special spherical shape of its jaws. Due to its high weight and high closing jaws force it deeply penetrates the soil even without being dropped, herein allowing for effectively vibration-free excavation.



### Technical Specifications

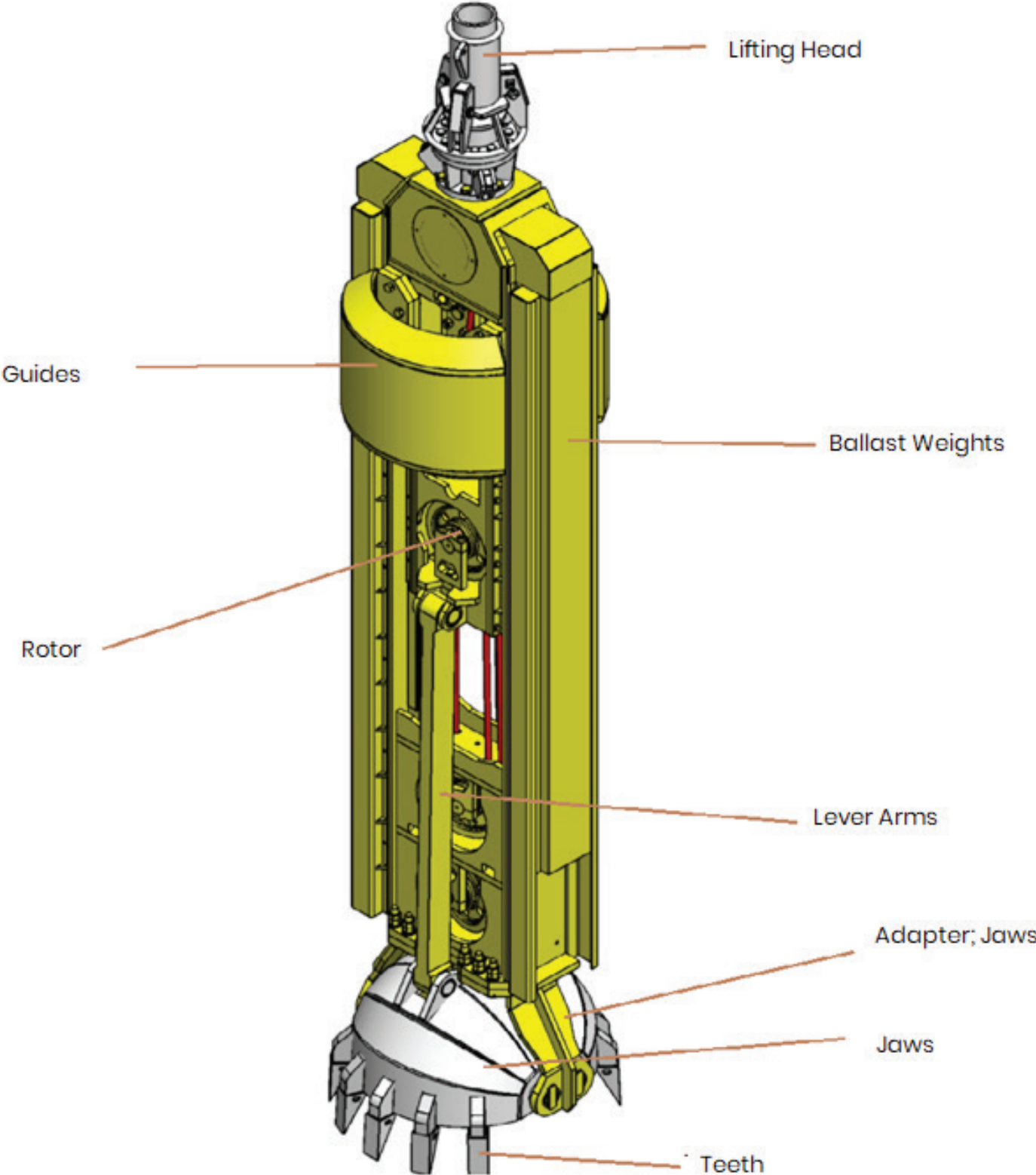
The Single Rope Type Spherical Grab equipment has the components built using ST-52, 4140 steel, and hardox materials.

#### SPHERICAL GRAB; SINGLE ROPE TYPE

Jaws Opening	1500 mm
Weight	13,9 t
Overall Length	7152 mm jaws in open position 7368 mm jaws in close position
Bucket Closing Force	55 t



# MAIN COMPONENTS



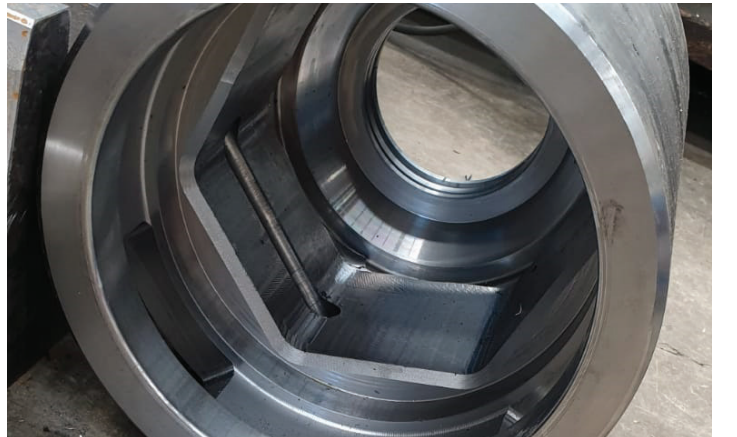
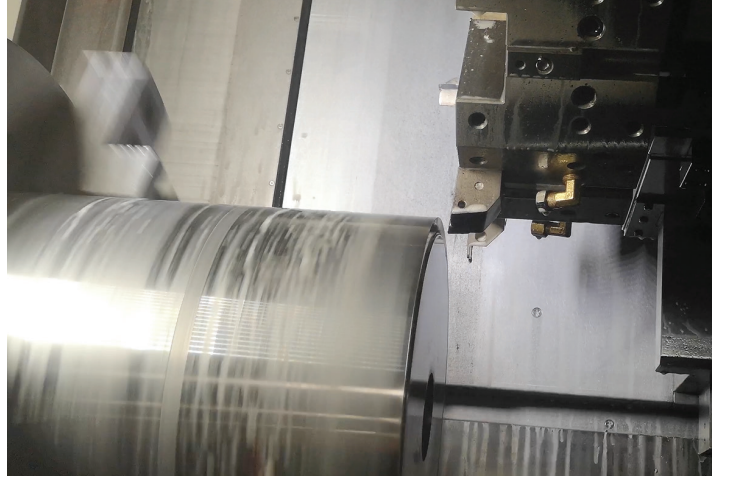
# SCREWSOL DRILLING HEAD

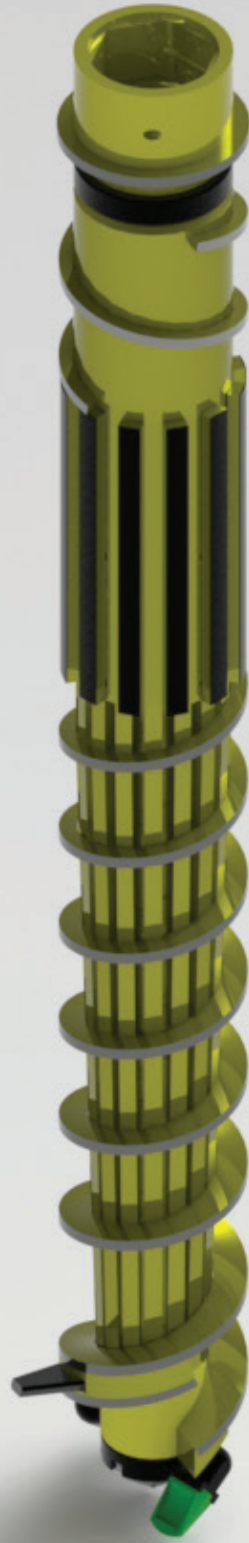
ZETAŞ, mother company, has lot of experience , resources and completed projects using Deep Soil Mixing technology within its territory. Z Makina has developed the drilling tools based on the feedbacks from the job-sites.

Since 2018 Z Makina has manufactured FDP Drilling tools for different customers as well.

Besides, there is an intention to spread its knowledge to ZETAŞ zone and also vice versa to expand SB & ZETAŞ capacity in different types of drilling tools. In this content, Z Makina and HBM Hungary have tried to develop a specific drilling tool as if a combination of FDP & Screwsol specified to HBM Hungary's proper use.

330/500 mm Screwsol drilling heads are in the manufacturing phase currently.

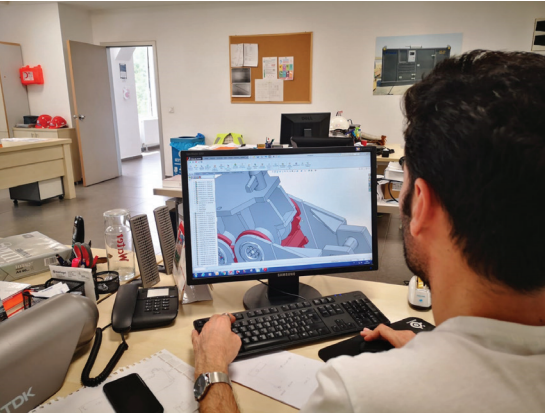




# H90 HYDRAULIC JAWS

Since 2019 Z Makina has manufactured 3 units of jaws in different dimensions, and also M8 grab of the jaws widths 800 / 1000 mm for ZETAS. SBI and Z Makina agreed that, in order to manufacture 2 units of H90 hydraulic jaws 800 mm x 3600 mm.

Z Makina Project Department updated project design for its proper manufacturing processes.



Jaws are in the manufacturing phase currently.









## COVID-19 PRECAUTIONS

Z Makina HSE team regularly arrange tool-boxes and inform our employees about covid-19. On the toolbox HSE team explains how we can fight with coronavirus and how we can provide a safer working environment.

In order to minimize the negative effects of the virus, we not only inform the employees of but also implement a complete set of strict measures to ensure hygiene, safe transportation and service continuity at our workplaces.

According to that we changed the way we work by paying attention to the social distance and provided a safer working environment for our employees.

To this end, the bulk of our employees have started working remotely. Meetings are now held via videoconferences. Events and business trips have been postponed for a certain period of time.

Despite of some mishaps, our remote working and online access processes have been running swimmingly.

We hope the world and our country alike will soon survive this period, during which we will go along to deliver uninterrupted manufacturing activities and maintain our service quality as always, thanks to the strong cooperation among our employees, our management team and you, our esteemed stakeholders.



# WHY CHOOSE US

## ADVANTAGES OF WORKING WITH Z MAKİNA

In house development of proprietary datas from ZETAS for over 30 years.

Always side of the customer and provide full support.

Management, design and field staff have experience in nearly all types of foundation applications

Fast delivery and elaborated products to all customers.



## YOU HAVE A STRONG PARTNER WITH Z MAKİNA

Z Makina has the experience in foundation equipment technology and innovation to provide the most economical solution that satisfies the requirements of each project, typical or unique. Z Makina, offering the exhaustive and profitable solutions. Headquartered in Kocaeli, Turkey, has expanded to meet the increasingly complex needs of the geotechnical equipment within the group companies.

## Z Makina Teknolojisi A.Ş

S.S. İstanbul Mermerciler  
Küçük Sanayi Sitesi Yapı  
Kooperatifi 29. Sokak No: 9  
Köseler Mah. 41455 Dilovası,  
Kocaeli, TÜRKİYE

P : +90 262 728 11 22

E : info@zmakina.com.tr

W : www.zmakina.com.tr

**Z** | **MAKİNA**