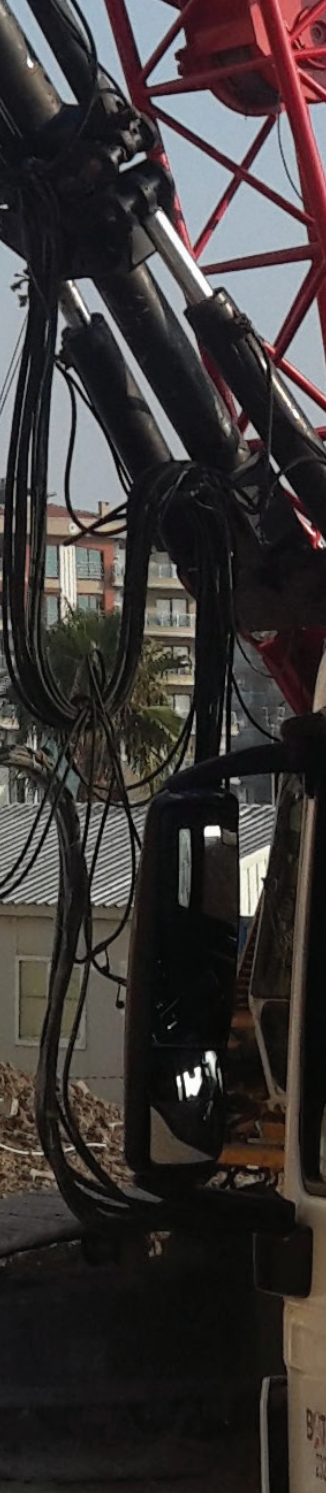




Hydraulic Grab



Hydraulic Grab

Due to removable jaws and guides, diaphragm wall excavations of different widths from 600 mm to 1500 mm can be made. Thanks to the angular vertical control system (inclinometer) and long guides, the vertical construction of the excavation is kept under control. The operator can constantly monitor the angle of the boom from the indicator on the control panel.

Unlike mechanical grab, hydraulic grab works with hydraulic cylinder. With the closure force of the jaws being very high, they work more quietly and with less vibration than the mechanical grab. The high grab weight makes it easy to plunging on ground and cutting of material.

It is easy to transport because the lattice booms, grabs and guides are removable.

Sökülebilir çene ve klavuzlar sayesinde 600 mm'den 1500 mm'ye kadar olan farklı genişliklerde diyafram duvar kazısı yapılabilir. Açısal diklik kontrol sistemi (inclinometre) ve uzun klavuzları sayesinde kazının dik olarak yapılması kontrol altında tutulur. Operatör, kumanda panosundaki indikatörden bom açısını sürekli takip edebilir.

Mekanik grabin aksine hidrolik grab, hidrolik silindire çalışır. Çenelerin kapanma kuvveti çok yüksek olmakla birlikte mekanik grabe nazaran daha sessiz ve daha az titreşimle çalışır. Yüksek grab ağırlığı, zemine dalmayı ve malzeme koparmayı kolaylaştırır.

Kafes bomları, grab ve klavuzları sökülebilir olduğu için nakliyesi kolaydır.

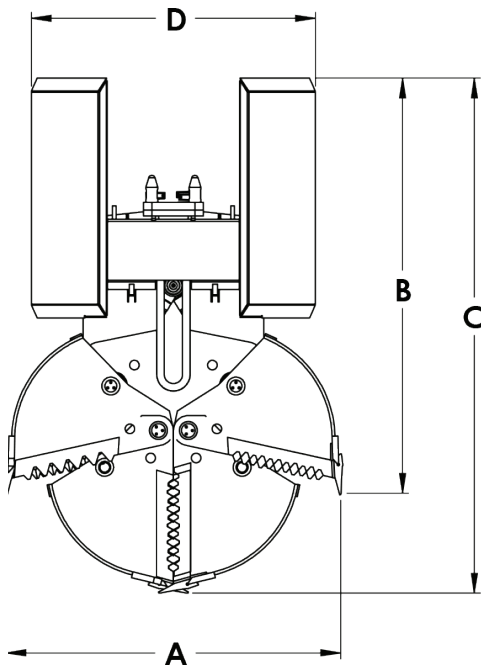
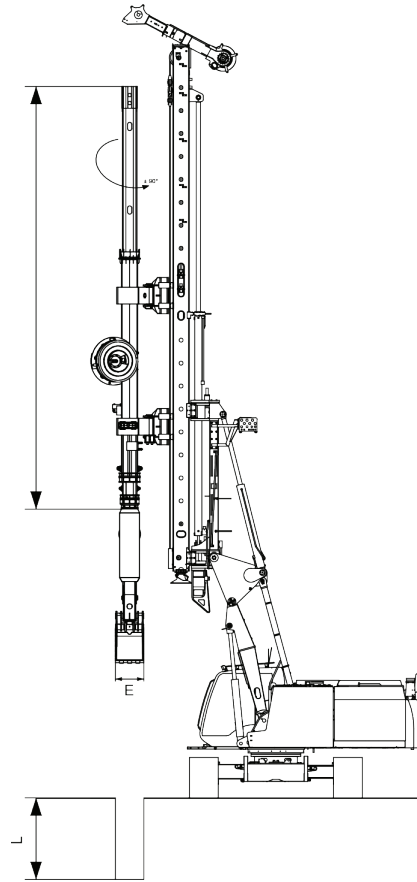
ZHG 1

ZHG1/24

Extension	L	W
-----	24 m	11000 kg
5000 mm	29 m	11600 kg
7000 mm	31 m	11950 kg

ZHG1 /30

Extension	L	W
-----	30 m	11600 kg
5000 mm	35 m	12200 kg
7000 mm	37 m	12550 kg



2500 OPENING

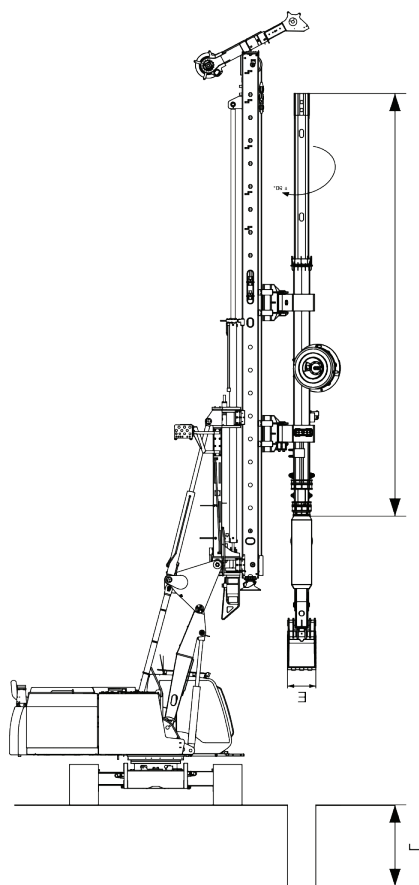
Jaw width (E)	mm	600	800
Jaw weight	kg	1200	1600
Capacity	lt	600	900
Closing force	t	140	140

2800 OPENING

Jaw width (E)	mm	600	800
Jaw weight	kg	1500	1900
Capacity	lt	800	1200
Closing force	t	140	140

Jaw Opening	A mm	2500	2800
Height With Open Jaws	B mm	3400	3500
Height With Closed Jaws	C mm	4100	4300
Width Of Guide	D mm	2400	2700

ZHG 2



ZHG2 /30

Extension	L	W
-----	30 m	12800 kg
5000 mm	35 m	13400 kg
7000 mm	37 m	13700 kg
9000 mm	39 m	14000 kg

ZHG2 /36

Extension	L	W
-----	36 m	13500 kg
2000 mm	38 m	13750 kg
5000 mm	41 m	14100 kg

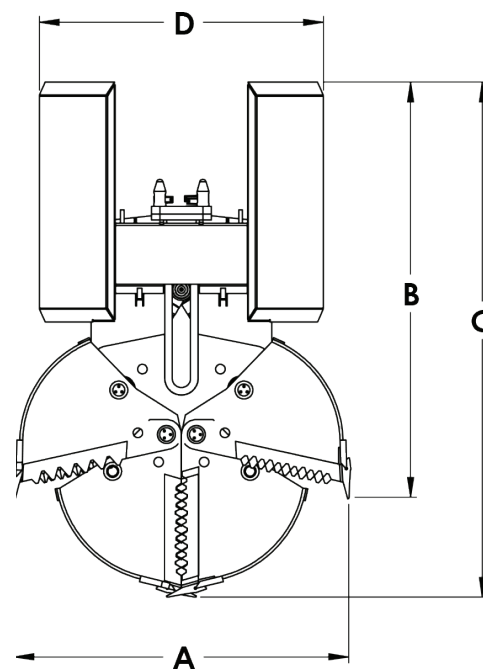
2500 OPENING

Jaw width (E)	mm	600	800	1000	1200
Jaw weight	kg	1200	1600	2000	2400
Capacity	lt	600	900	1200	1400
Closing force	t	140	140	140	140

2800 OPENING

Jaw width (E)	mm	600	800	1000	1200
Jaw weight	kg	1500	1900	2300	2700
Capacity	lt	800	1200	1500	1800
Closing force	t	140	140	140	140

Jaw Opening	A mm	2500	2800	3400
Height With Open Jaws	B mm	4400	4500	5200
Height With Closed Jaws	C mm	5100	5300	6300
Width Of Guide	D mm	2400	2700	3300



ZHG 3

ZHG3 /30

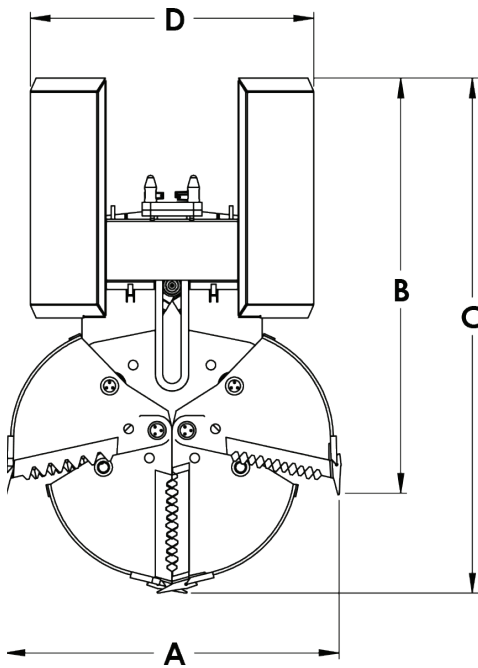
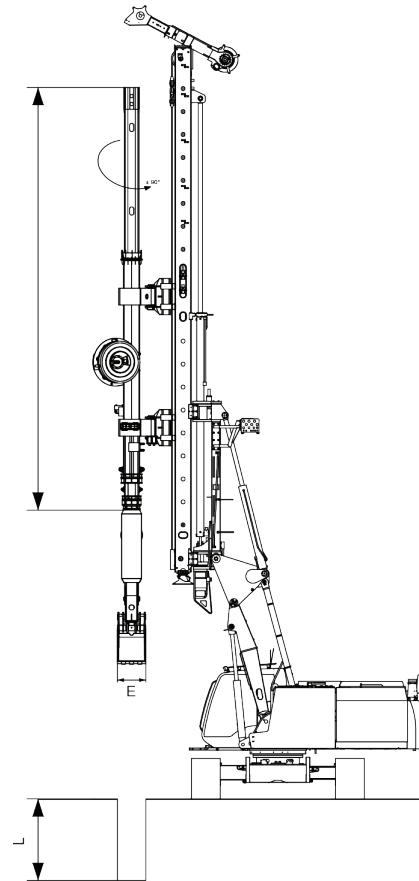
Extension	L	W
-----	30 m	14300 kg
5000 mm	35 m	14900 kg
7000 mm	37 m	15200 kg
9000 mm	39 m	15550 kg

ZHG3 /36

Extension	L	W
-----	36 m	15100 kg
5000 mm	41 m	15700 kg
7000 mm	43 m	16000 kg
9000 mm	45 m	16350 kg

ZHG3 /48

Extension	L	W
-----	48 m	19000 kg
2000 mm	50 m	19250 kg
5000 mm	53 m	19600 kg
7000 mm	55 m	19950 kg



2500 OPENING

	mm	800	1000	1200	1500
Jaw width (E)	mm	800	1000	1200	1500
Jaw weight	kg	1600	2000	2400	3000
Capacity	lt	900	1200	1400	1800
Closing force	t	180	180	180	180

2800 OPENING

	mm	800	1000	1200	1500
Jaw width (E)	mm	800	1000	1200	1500
Jaw weight	kg	1900	2300	2700	3300
Capacity	lt	1200	1500	1800	2300
Closing force	t	180	180	180	180

3400 OPENING

	mm	800	1000	1200	1500
Jaw width (E)	mm	800	1000	1200	1500
Jaw weight	kg	2500	2900	3300	3900
Capacity	lt	1600	1900	2200	2700
Closing force	t	180	180	180	180

Jaw Opening	A mm	2500	2800	3400
Height With Open Jaws	B mm	5400	5500	6200
Height With Closed Jaws	C mm	6100	6300	7300
Width Of Guide	D mm	2400	2700	3300

